

Features & Ordering Code

Features

- 4 Digit LCD display
- Accuracy: 0.25% and 1% F.S for option
- Range: Vacuum to 600Bar
- Can display Max and Min value
- Different pressure units selected by software
- Different thread size for option



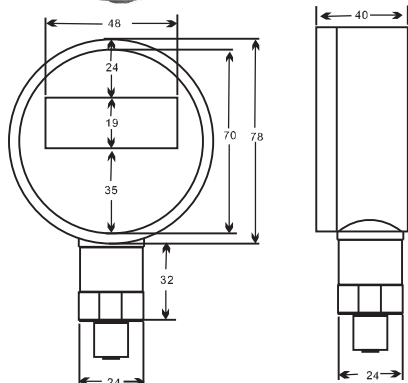
Ordering Code

PG801C — **Accuracy:** A: 1% F.S B: 0.25% F.S
Range: Vacuum to 600Bar
Output: Blank: No output 300: 4-20mA 210: 0-10V
Thread Size: 1: Standard M20X1.5 2: G1/2 3: G1/4 & 1/4NPT
PG801C Series LCD Display Digital Pressure Gauge

Example: PG801C3-10Bar-B: means the DPG is in 1/4 NPT or G1/4 thread measuring range is 0-10Bar and the accuracy is 0.25% F.S

Technical Data & Sizes

Technical Data



Accuracy:	Silicon 0.25% F.S Ceramics: 1%
Power Supply:	3VDC Battery
Pressure Range:	Vacuum to 600Bar
Housing:	ABS
Operating Temperature:	-20 to 85 Degrees
Store Temperature:	-20 to 85 Degrees
Temperature Shift:	0.05% F.S per Degree
Size:	78mm dia
Engineering Unit:	Psi, Bar, MPa, KG/CM
Thread Size:	M20X1.5, G1/2, 1/4 NPT and others
Frontal Panel:	Polycarbonate, OEM available
Max Allowed Load:	RL less than 600 Ohm
Over Pressure:	200% of the Pressure Range, Less than 1200Bar
Burst Pressure:	400% of the Pressure Range, Less than 1200Bar
Output:	4-20mA or 0-10V (If have)
IP Rate:	IP66
Weight:	Abt. 500G



YOTO Electric Co.,LTD
 3rd Floor, No.25 Building, Sicong Industrial Area
 Xiaolan Town, Zhonshan Guangdong China

Tel: 86-760-22112809
 Fax: 86-760-22104808
 Email: sales@yotochn.net