

Inductive Sensor

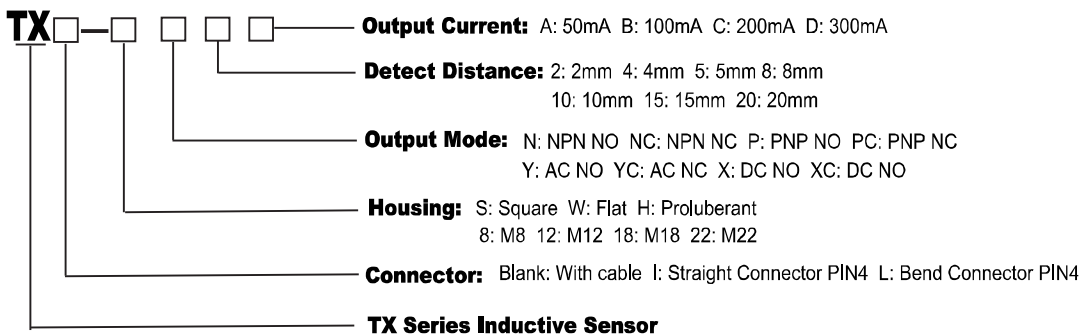
User Manual

TX Series

www.yotochn.net

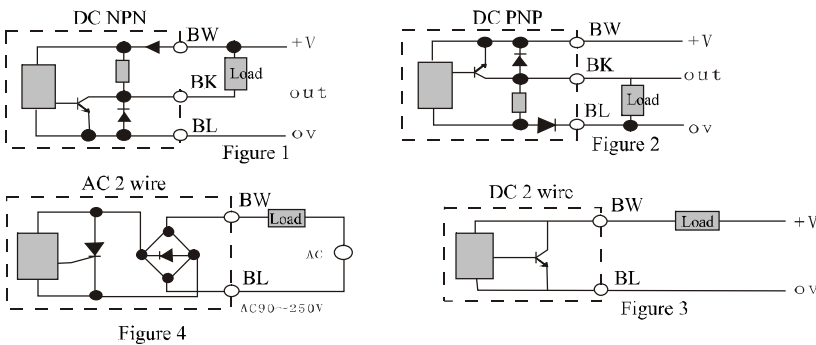


Ordering Code



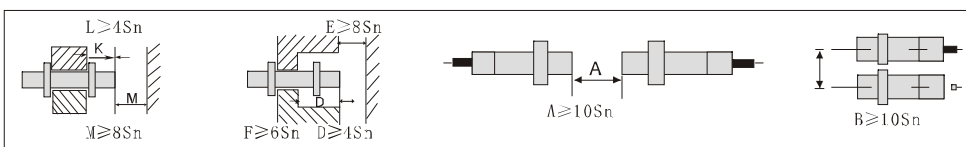
For example: TX-12N4C means Inductive proximity sensor with on connector, sensing distance is 4mm, cylindrical type 12mm in diameter, NPN. NO, max. output current is 200mA.

Wire Connection



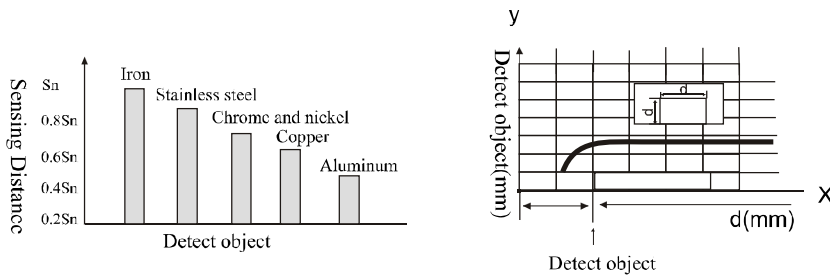
Dimension Size

1. If used in an area surrounded by metal or juxtaposed, install the proximity sensor as follows: (Sn: Sensing Distance)



Detect Distance

1. You had better set mounting distance equal 80% sn.
2. Please set mounting distance equals 50% sn, when sensor applies in measuring mounting frequency or operating in high speed circumstance.
3. Mounting distance varies with measuring object (iron, stainless steel chrome nickel, copper and aluminum).
4. The relationship between mounting distance (y axis) and the size of object (X axis).



Caution

- a. DC power connection should use insulation transformer, non self-couple transformer should be used.
- b. Make sure the power is off when connect the wires, connection according to the connection diagram on the product.
- c. If there are other electrical wires around the sensor wires, please use a steel tube to cover the sensor wires so as to avoid miswork and damage to the sensor.
- d. For AC-2wire proximity sensors, if there are two or more sensors working together, a relay should be used for Series connection or Parallel connection; Do not connect the sensors directly.
- e. For AC-2wire proximity sensors, the sensor must connect with load, instead of connecting to power supply directly, otherwise the sensor might be damaged.
- f. The cable of the proximity sensor should be no more than 200mm in order to avoid causing lowering voltage.