

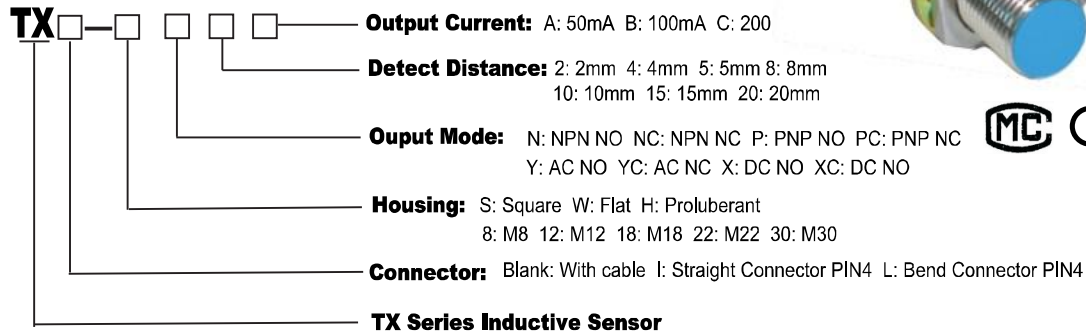
Features & Ordering Code

Features

Quick response, Long operation life, Reliable action, high anti-interference, and anti-shock, water-proof ability.

Widely applied to measuring, counting, Rpm measuring in mechanism, chemical, paper manufacture light industry, etc.

Ordering Code



Cylinder M8 M12 M18 M22 M30



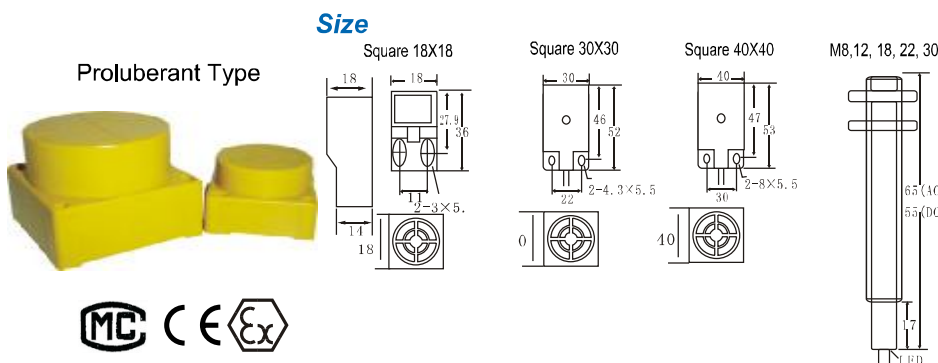
For example: TX-12N4C means Inductive proximity sensor with on connector, sensing distance is 4mm, cylindrical type 12mm in diameter, NPN, NO, max. output current is 200mA.

Technical Data & Sizes

Technical Data

	Cycinder Type	Square Type	Flat Type	Proluberant Type
Power Supply	12-24VDC	12-24VDC	12-24VDC	12-24VDC
Detect Object	Magnetic metal	Magnetic metal	Magnetic metal	Magnetic metal
Housing Material	Metal	ABS	ABS	ABS
Ambient temperature	-25~70°C	-25~70°C	-25~70°C	-25~70°C
IP rating	IP66	IP66	IP66	IP66
Output Mode	NPN, PNP, AC, DC	NPN, PNP, AC, DC	NPN, PNP, AC, DC	NPN, PNP, AC, DC
Sizes	M8, 12, 18, 22, 30	18X18, 30X30, 40X40		

With straight Connector



Square Type